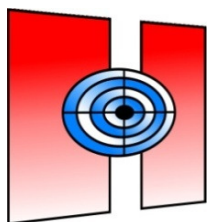


INTERNATIONALE ARMBRUSTSCHÜTZEN UNION
SHOOTING CLUB "DUBRAVA 1094"



18. EUROPA CUP - CROSSBOW FIELD 18m

BILTEN



Sportska dvorana OŠ Dubrava, Dubrava (Croatia)
14th to 15th of October 2023

18. EUROPA CUP - CROSSBOW FIELD 18m
Sportska dvorana OŠ Dubrava, Dubrava (Croatia)
14th to 15th of October 2023
IAU Classic



Rank	Competitor	Country	Cat.	I	II	III	IV	V	IR300	VI	VII	VIII	IX	X	IR300	Σ	R10	10
<i>Men</i>																		
1	OBOROVEČKI Martin	Croatia	M	58	60	58	60	59	295	59	59	59	58	58	293	588	12	36
2	PEREGLIN Domagoj	Croatia	M	60	60	58	58	59	295	57	58	60	59	59	293	588	4	44
3	KRSTINIĆ Andrej	Croatia	M	56	60	58	56	59	289	59	59	59	58	59	294	583	8	34
4	KAJFEŠ Marijan	Croatia	M	58	57	57	57	57	286	58	60	57	59	57	291	577	6	30
5	LECKIE Eric James	Czechia	M	48	53	53	54	53	261	51	50	53	53	54	261	522	0	9
<i>Women</i>																		
1	MRNJAVČIĆ PEREGLIN V.	Croatia	W	59	58	60	59	57	293	59	60	60	60	59	298	591	12	38
2	OBOROVEČKI Mihaela	Croatia	W	57	59	59	58	58	291	55	58	56	58	58	285	576	1	37
3	HYNKOVA Karolina	Czechia	W	55	55	55	52	55	272	52	56	55	57	55	275	547	1	20
<i>Juniors</i>																		
1	VYSKOČIL Denis	Czechia	J	58	56	58	57	58	287	58	56	59	57	60	290	577	9	32
2	POPOVIĆ-GECAN Iva	Croatia	J	56	59	56	57	58	286	58	59	56	55	55	283	569	5	24
3	BLAGEC Petar	Croatia	J	54	53	57	58	60	282	57	56	56	56	57	282	564	3	26
<i>Cadets</i>																		
1	BAJSER Borna	Croatia	C	57	56	57	53	55	278	58	54	55	57	51	275	553	0	22
2	BEZROK Filip	Croatia	C	54	54	56	55	54	273	57	52	54	55	54	272	545	0	17
3	ŠTRBENAC Marija	Croatia	C	56	58	53	57	46	270	52	56	54	55	56	273	543	3	17
4	BENAČIĆ Daniel	Croatia	C	54	55	54	54	56	273	56	52	56	52	54	270	543	2	13
5	HAC Pavao	Croatia	C	55	56	55	54	55	275	52	53	54	52	57	268	543	1	14
6	TOMIĆ Marko	Croatia	C	51	56	53	55	55	270	56	52	55	53	56	272	542	0	12
7	BJELOBRK Lovro	Croatia	C	55	51	53	53	51	263	53	54	52	54	49	262	525	0	14
8	SELJAN Patricija	Croatia	C	49	51	51	55	46	252	56	52	54	53	52	267	519	3	9
9	MYŠKOVÁ Anna	Czechia	C	55	53	48	50	51	257	48	51	48	56	52	255	512	1	9
10	KUCELJ Lovro	Croatia	C	46	53	50	52	49	250	50	54	52	52	52	260	510	0	9
11	LJUBIĆ Josip	Croatia	C	37	42	52	43	48	222	49	47	45	47	45	233	455	0	2
12	JELAKOVIĆ Grigor	Croatia	C	57	56	55	52	53	273	49	46	0	0	0	95	368	0	11
<i>Seniors</i>																		
1	TIJAN Željko	Croatia	S	57	56	58	58	57	286	56	58	58	54	57	283	569	6	27
2	MÁTRAI István	Hungary	S	50	49	56	55	54	264	53	53	52	53	56	267	531	0	14

18. EUROPA CUP - CROSSBOW FIELD 18m
Sportska dvorana OŠ Dubrava, Dubrava (Croatia)
14th to 15th of October 2023
IAU Classic



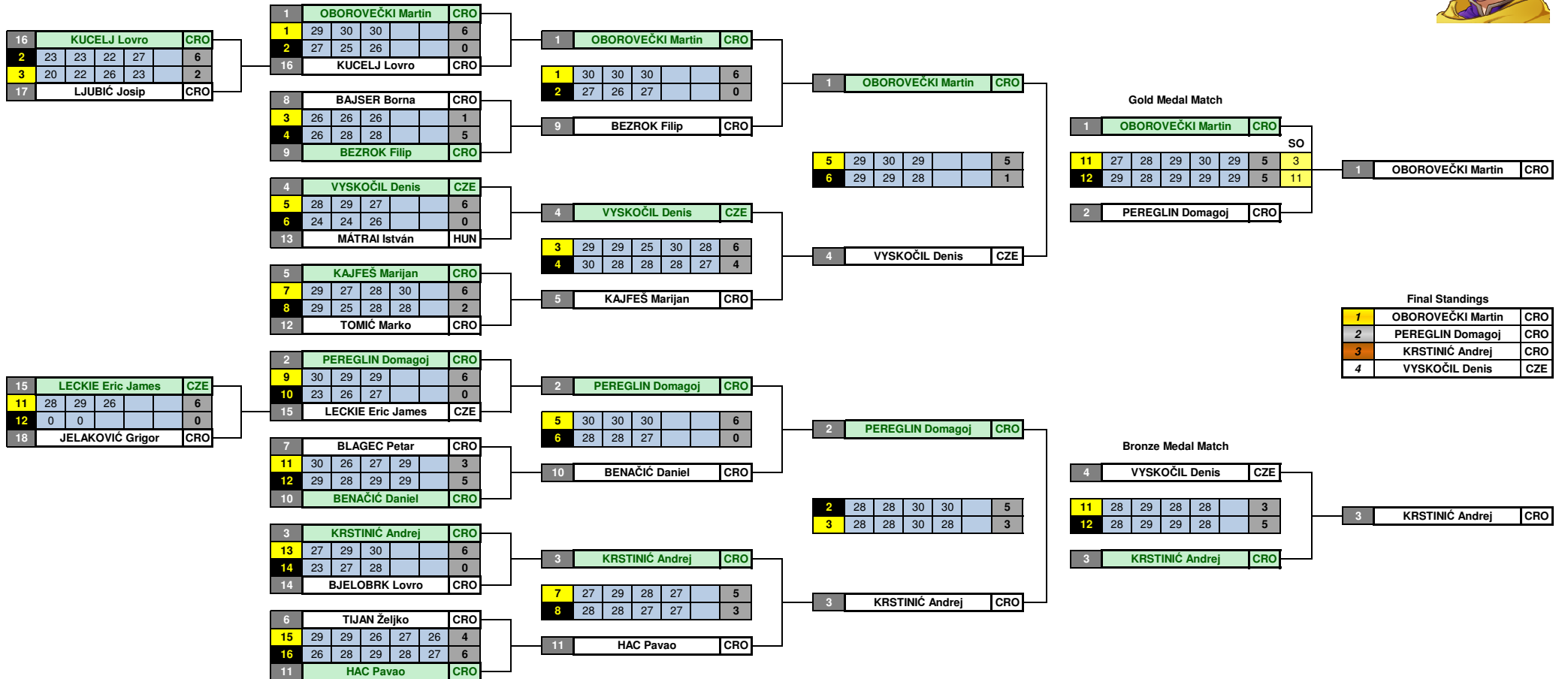
Rank	Competitor	Country	Cat.	I	II	III	IV	V	IR300	VI	VII	VIII	IX	X	IR300	Σ	R10	10
<i>Men</i>																		
1	OBOROVEČKI Martin	Croatia	M	58	60	58	60	59	295	59	59	59	58	58	293	588	12	36
2	PEREGLIN Domagoj	Croatia	M	60	60	58	58	59	295	57	58	60	59	59	293	588	4	44
3	KRSTINIĆ Andrej	Croatia	M	56	60	58	56	59	289	59	59	59	58	59	294	583	8	34
4	VYSKOČIL Denis	Czechia	J	58	56	58	57	58	287	58	56	59	57	60	290	577	9	32
5	KAJFEŠ Marijan	Croatia	M	58	57	57	57	57	286	58	60	57	59	57	291	577	6	30
6	TIJAN Željko	Croatia	S	57	56	58	58	57	286	56	58	58	54	57	283	569	6	27
7	BLAGEC Petar	Croatia	J	54	53	57	58	60	282	57	56	56	56	57	282	564	3	26
8	BAJSER Borna	Croatia	C	57	56	57	53	55	278	58	54	55	57	51	275	553	0	22
9	BEZROK Filip	Croatia	C	54	54	56	55	54	273	57	52	54	55	54	272	545	0	17
10	BENAČIĆ Daniel	Croatia	C	54	55	54	54	56	273	56	52	56	52	54	270	543	2	13
11	HAC Pavao	Croatia	C	55	56	55	54	55	275	52	53	54	52	57	268	543	1	14
12	TOMIĆ Marko	Croatia	C	51	56	53	55	55	270	56	52	55	53	56	272	542	0	12
13	MÁTRAI István	Hungary	S	50	49	56	55	54	264	53	53	52	53	56	267	531	0	14
14	BJELOBRK Lovro	Croatia	C	55	51	53	53	51	263	53	54	52	54	49	262	525	0	14
15	LECKIE Eric James	Czechia	M	48	53	53	54	53	261	51	50	53	53	54	261	522	0	9
16	KUCELJ Lovro	Croatia	C	46	53	50	52	49	250	50	54	52	52	52	260	510	0	9
17	LJUBIĆ Josip	Croatia	C	37	42	52	43	48	222	49	47	45	47	45	233	455	0	2
18	JELAKOVIĆ Grigor	Croatia	C	57	56	55	52	53	273	49	46	0	0	0	95	368	0	11
<i>Women</i>																		
1	MRNJAVČIĆ PEREGLIN V.	Croatia	W	59	58	60	59	57	293	59	60	60	60	59	298	591	12	38
2	OBOROVEČKI Mihaela	Croatia	W	57	59	59	58	58	291	55	58	56	58	58	285	576	1	37
3	POPOVIĆ-GECAN Iva	Croatia	J	56	59	56	57	58	286	58	59	56	55	55	283	569	5	24
4	HYNKOVA Karolina	Czechia	W	55	55	55	52	55	272	52	56	55	57	55	275	547	1	20
5	ŠTRBENAC Marija	Croatia	C	56	58	53	57	46	270	52	56	54	55	56	273	543	3	17
6	SELJAN Patricija	Croatia	C	49	51	51	55	46	252	56	52	54	53	52	267	519	3	9
7	MYŠKOVÁ Anna	Czechia	C	55	53	48	50	51	257	48	51	48	56	52	255	512	1	9

18. EUROPA CUP - CROSSBOW FIELD 18m
Sportska dvorana OŠ Dubrava, Dubrava (Croatia)
14th to 15th of October 2023
IAU Classic

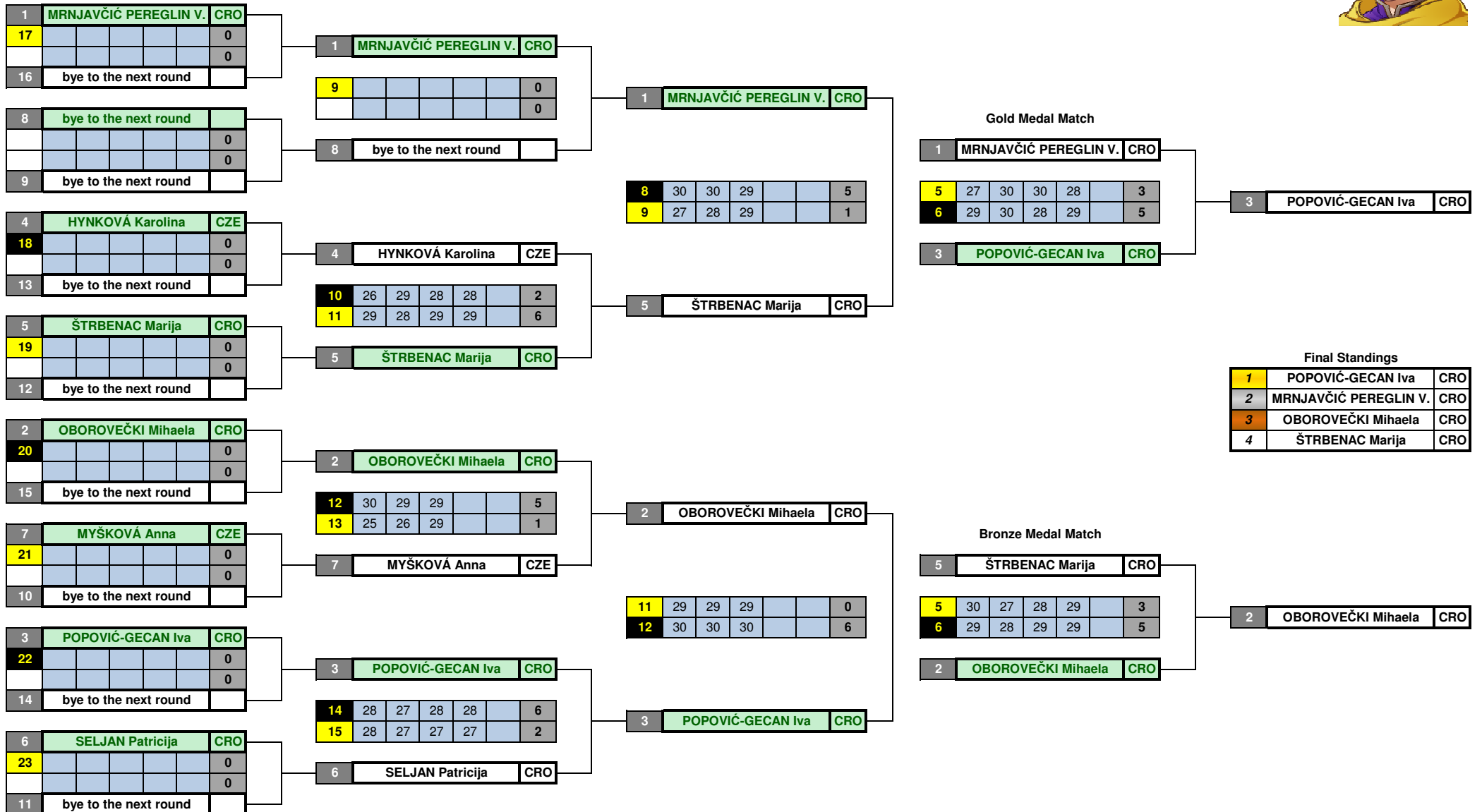


Rank	Competitor	Country	Cat.	I	II	III	IV	V	IR300	VI	VII	VIII	IX	X	IR300	Σ	R10	10
1	MRNJAVČIĆ PEREGLIN V.	Croatia	W	59	58	60	59	57	293	59	60	60	60	59	298	591	12	38
2	OBOROVEČKI Martin	Croatia	M	58	60	58	60	59	295	59	59	59	58	58	293	588	12	36
3	PEREGLIN Domagoj	Croatia	M	60	60	58	58	59	295	57	58	60	59	59	293	588	4	44
4	KRSTINIĆ Andrej	Croatia	M	56	60	58	56	59	289	59	59	59	58	59	294	583	8	34
5	VYSKOČIL Denis	Czechia	J	58	56	58	57	58	287	58	56	59	57	60	290	577	9	32
6	KAJFEŠ Marijan	Croatia	M	58	57	57	57	57	286	58	60	57	59	57	291	577	6	30
7	OBOROVEČKI Mihaela	Croatia	W	57	59	59	58	58	291	55	58	56	58	58	285	576	1	37
8	TIJAN Željko	Croatia	S	57	56	58	58	57	286	56	58	58	54	57	283	569	6	27
9	POPOVIĆ-GECAN Iva	Croatia	J	56	59	56	57	58	286	58	59	56	55	55	283	569	5	24
10	BLAGEC Petar	Croatia	J	54	53	57	58	60	282	57	56	56	56	57	282	564	3	26
11	BAJSER Borna	Croatia	C	57	56	57	53	55	278	58	54	55	57	51	275	553	0	22
12	HYNKOVA Karolina	Czechia	W	55	55	55	52	55	272	52	56	55	57	55	275	547	1	20
13	BEZROK Filip	Croatia	C	54	54	56	55	54	273	57	52	54	55	54	272	545	0	17
14	ŠTRBENAC Marija	Croatia	C	56	58	53	57	46	270	52	56	54	55	56	273	543	3	17
15	BENAČIĆ Daniel	Croatia	C	54	55	54	54	56	273	56	52	56	52	54	270	543	2	13
16	HAC Pavao	Croatia	C	55	56	55	54	55	275	52	53	54	52	57	268	543	1	14
17	TOMIĆ Marko	Croatia	C	51	56	53	55	55	270	56	52	55	53	56	272	542	0	12
18	MÁTRAI István	Hungary	S	50	49	56	55	54	264	53	53	52	53	56	267	531	0	14
19	BJELOBRK Lovro	Croatia	C	55	51	53	53	51	263	53	54	52	54	49	262	525	0	14
20	LECKIE Eric James	Czechia	M	48	53	53	54	53	261	51	50	53	53	54	261	522	0	9
21	SELJAN Patricija	Croatia	C	49	51	51	55	46	252	56	52	54	53	52	267	519	3	9
22	MYŠKOVÁ Anna	Czechia	C	55	53	48	50	51	257	48	51	48	56	52	255	512	1	9
23	KUCELJ Lovro	Croatia	C	46	53	50	52	49	250	50	54	52	52	52	260	510	0	9
24	LJUBIĆ Josip	Croatia	C	37	42	52	43	48	222	49	47	45	47	45	233	455	0	2
25	JELAKOVIĆ Grigor	Croatia	C	57	56	55	52	53	273	49	46	0	0	0	95	368	0	11

18. EUROPA CUP - CROSSBOW FIELD 18m
 Sportska dvorana OŠ Dubrava, Dubrava (Croatia)
 14th to 15th of October 2023
 Match Play - Men



18. EUROPA CUP - CROSSBOW FIELD 18m
 Sportska dvorana OŠ Dubrava, Dubrava (Croatia)
 14th to 15th of October 2023
 Match Play - Women



18. EUROPA CUP - CROSSBOW FIELD 18m

SUPERFINAL ROUND



2 : 6



OBOROVEČKI Martin



R1	R2	R3	R4	R5	SO
28	27	27	28		

POPOVIĆ-GEKAN Iva



R1	R2	R3	R4	R5	SO
28	28	27	29		

18. EUROPA CUP - CROSSBOW FIELD 18m
Sportska dvorana OŠ Dubrava, Dubrava (Croatia)
14th to 15th of October 2023
Match Play - Final Standings



Rank	Competitor	Country	Cat.	IAU Classic			R32	R16	QF	SF	MM	
				Σ	R10	10						
<i>Men</i>												
1	OBOROVEČKI Martin	Croatia	M	588	12	36	→ 0	Bye	6:0	6:0	5:1	5:5
2	PEREGLIN Domagoj	Croatia	M	588	4	44	→ 0	Bye	6:0	6:0	5:3	5:5
3	KRSTINIĆ Andrej	Croatia	M	583	8	34	→ 0	Bye	6:0	5:3	3:5	5:3
4	VYSKOČIL Denis	Croatia	M	577	9	32	→ 0	Bye	6:0	6:4	1:5	3:5
5	KAJFEŠ Marijan	Croatia	M	577	6	30	→ 0	Bye	6:2	4:6		
6	BEZROK Filip	Croatia	M	545	0	17	↑ +3	Bye	5:1	0:6		
7	BENAČIĆ Daniel	Croatia	M	543	2	13	↑ +3	Bye	5:3	0:6		
8	HAC Pavao	Croatia	M	543	1	14	↑ +3	Bye	6:4	3:5		
9	TIJAN Željko	Croatia	M	569	6	27	↓ -3	Bye	4:6			
10	BLAGEC Petar	Croatia	M	564	3	26	↓ -3	Bye	3:5			
11	BAJSER Borna	Croatia	M	553	0	22	↓ -3	Bye	1:5			
12	TOMIĆ Marko	Croatia	M	542	0	12	→ 0	Bye	2:6			
13	MÁTRAI István	Hungary	M	531	0	14	→ 0	Bye	0:6			
14	BJELOBRK Lovro	Croatia	M	525	0	14	→ 0	Bye	0:6			
15	LECKIE Eric James	Czechia	M	522	0	9	→ 0	6:0	0:6			
16	KUČELJ Lovro	Croatia	M	510	0	9	→ 0	6:2	0:6			
17	LJUBIĆ Josip	Croatia	M	455	0	2	→ 0	2:6				
18	JELAKOVIĆ Grigor	Croatia	M	368	0	11	→ 0	0:6				
<i>Women</i>												
1	POPOVIĆ-GECAN Iva	Croatia	W	569	5	24	↑ +2	Bye	Bye	6:2	6:0	5:3
2	MRNJAVČIĆ PEREGLIN V.	Croatia	W	591	12	38	↓ -1	Bye	Bye	Bye	5:1	3:5
3	OBOROVEČKI Mihaela	Croatia	W	576	1	37	↓ -1	Bye	Bye	5:1	0:6	5:3
4	ŠTRBENAC Marija	Croatia	W	543	3	17	↑ +1	Bye	Bye	6:2	1:5	3:5
5	HYNKOVÁ Karolina	Czechia	W	547	1	20	↓ -1	Bye	Bye	2:6		
6	SELJAN Patricija	Croatia	W	519	3	9	→ 0	Bye	Bye	2:6		
7	MYŠKOVÁ Anna	Czechia	W	512	1	9	→ 0	Bye	Bye	1:5		

18. EUROPA CUP - CROSSBOW FIELD 18m
Sportska dvorana OŠ Dubrava, Dubrava (Croatia)
14th to 15th of October 2023

COMPETITION OFFICIALS

Director of Competition	Branko Pereglin
Director of Shooting (DOS)	Damir Oborovečki
Field Judges	Helena Oborovečki Branka Pereglin
Results processing	Branko Pereglin
Competition Jury	Branko Pereglin Damir Oborovečki Helena Oborovečki
Scorers	Mia Marković Tiana Marković Veronika Forjan Laura Vuk Ema Vukšić Kovačević Tony Herceg Jakov Karadža

COMPETITION REPORT

I. Shooting Range	Sportska dvorana OŠ Dubrava		
II. Targets	Target butts: Eleven+		
	Target faces: Krüger 23,5cm (18m)		
III. Disciplines	IAU Classic, IAU Match Play		
IV. Equipment Control	Yes		
V. Number of competitors	Total:	25	
	Men:	5	Abs: 18
	Women:	3	Abs: 7
	Juniors:	3	
	Cadets:	12	
	Senior men:	2	
	Senior women:	0	
	Teams:	0	
VI. Doping Control	Ime i prezime		
VII. Complaints	None		
VIII. Notes	None		